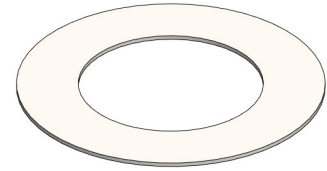


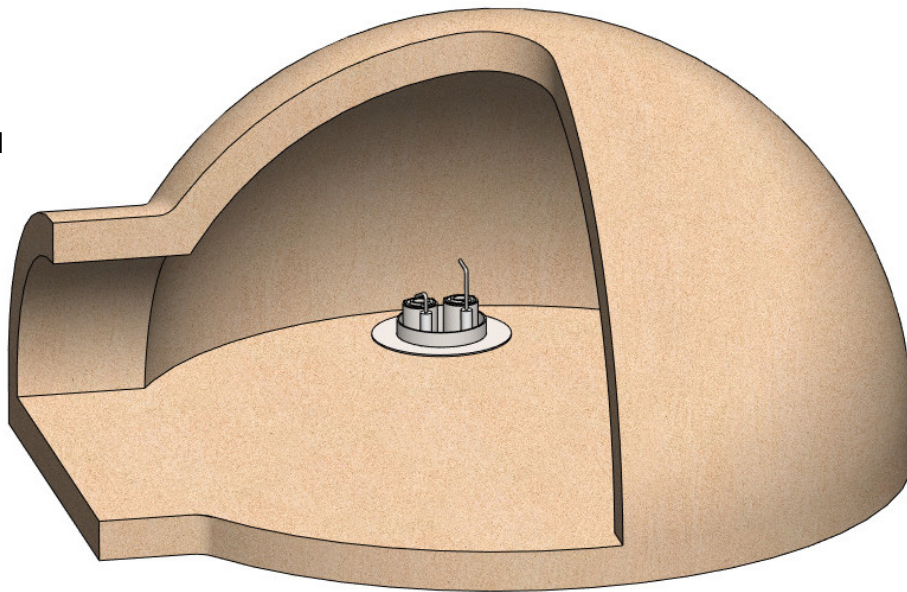
FINISHING RING

NICKEL-PLATED STEEL
SPECIFIC ACCESSORY
FOR BURNERS

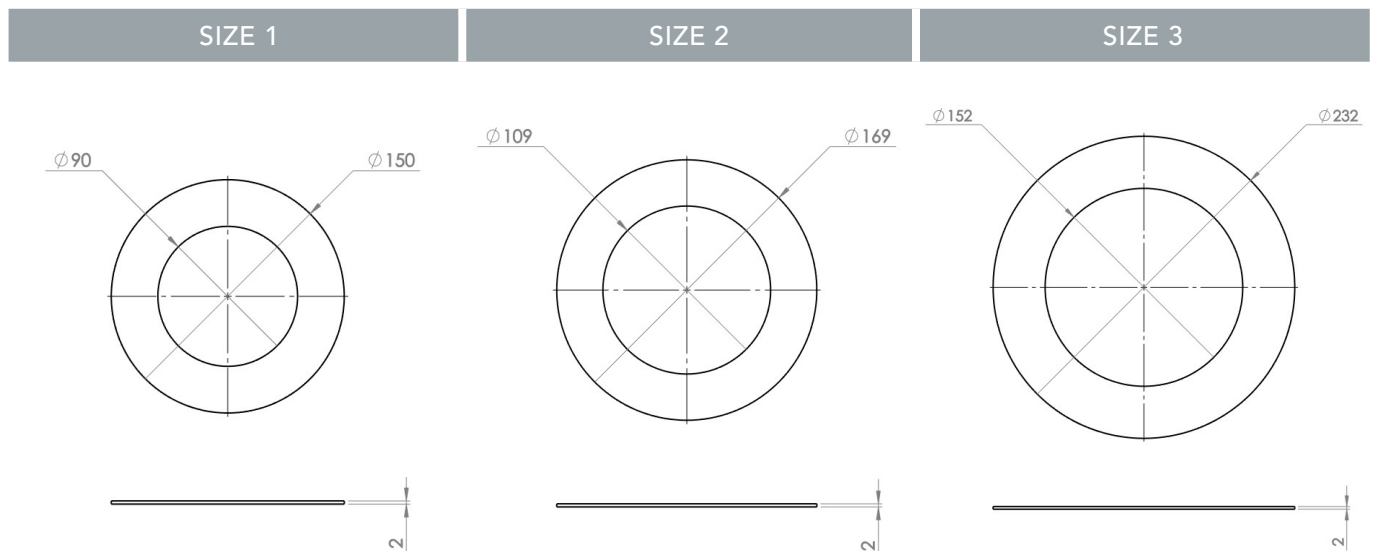
- M SERIES
- E SERIES
- T SERIES



INSTALLATION



DIMENSIONS



by **UNITECH S.r.l.**
Via Ferrari, 27/71 - 41043 Corlo di Formigine (MO) - Italy
Tel. +39 059 574161 - Fax +39 059 5771294
P.IVA - VAT IT03894120363
info@uni-tech.it - www.uni-tech.it